

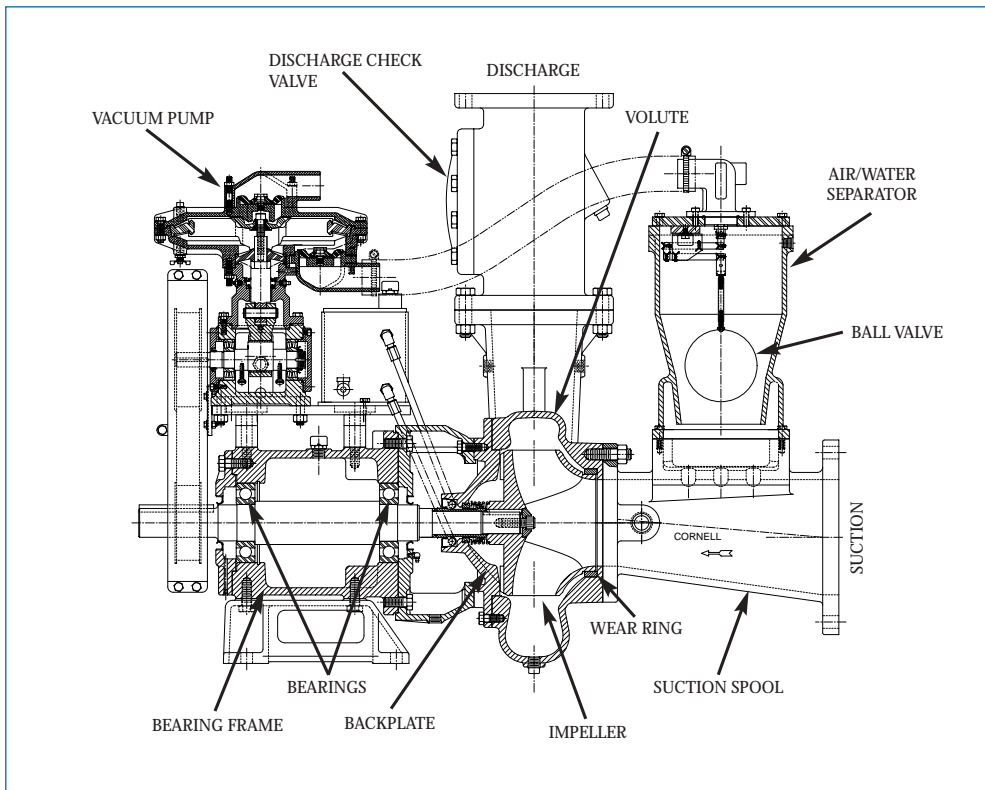


CORNELL PUMP COMPANY

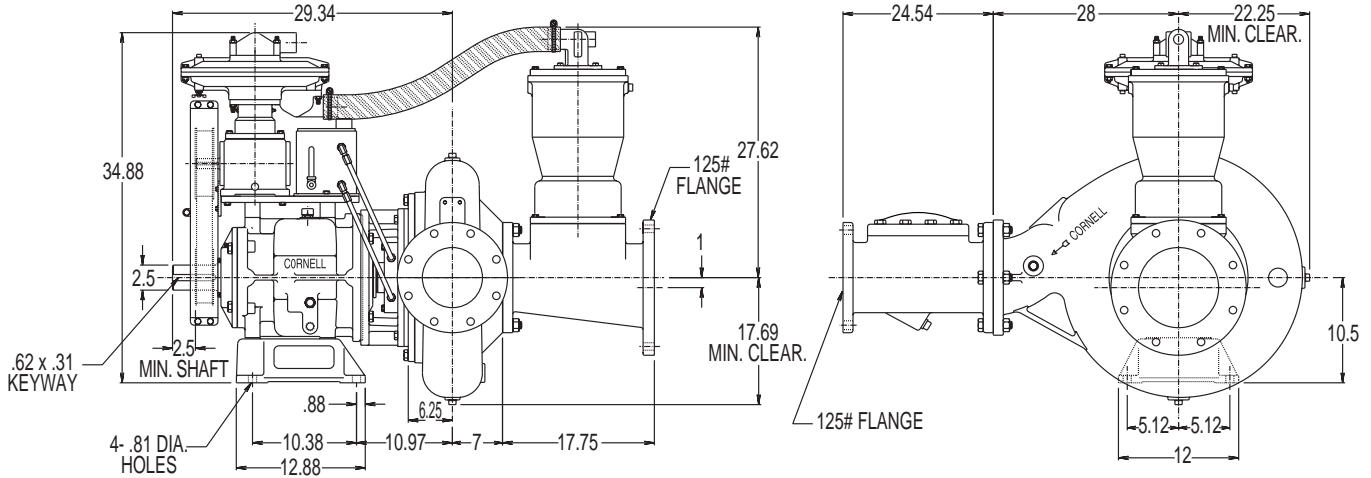
Model 10NHTA-F Redi-Prime®

PUMP SPECIFICATIONS

- **Size:** 10NHTA - 10" discharge x 12" suction with 125# cast iron flanges.
- **Casing:** Cast Iron.
- **Impeller:** Enclosed - 2 vane. Handles 4.25" diameter solids.
- **Wear Rings:** Replaceable. (Double wear rings available).
- **Seal:** Cornell's patented Cycloseal® design with Run-Dry oil lubrication system. John Crane T-2 single mechanical seal with Viton® elastomers, stainless steel hardware and tungsten- vs. silicon-carbide seal faces for abrasion resistance.
- **Check Valve:** SwingFlex® Val-Matic®.
- **Shaft Sleeve:** Heat treated 416 stainless steel.
- **Bearings:** Heavy duty, grease lubricated, deep groove ball bearings, with a minimum of 50,000 hours bearing life.
- **Hardware:** Stainless steel float linkage. A positive seating vacuum priming valve prevents water carry-over to the vacuum, pump or atmosphere.
- **Vacuum Pump** - 50 SCFM Maximum.



PUMP DIMENSIONS



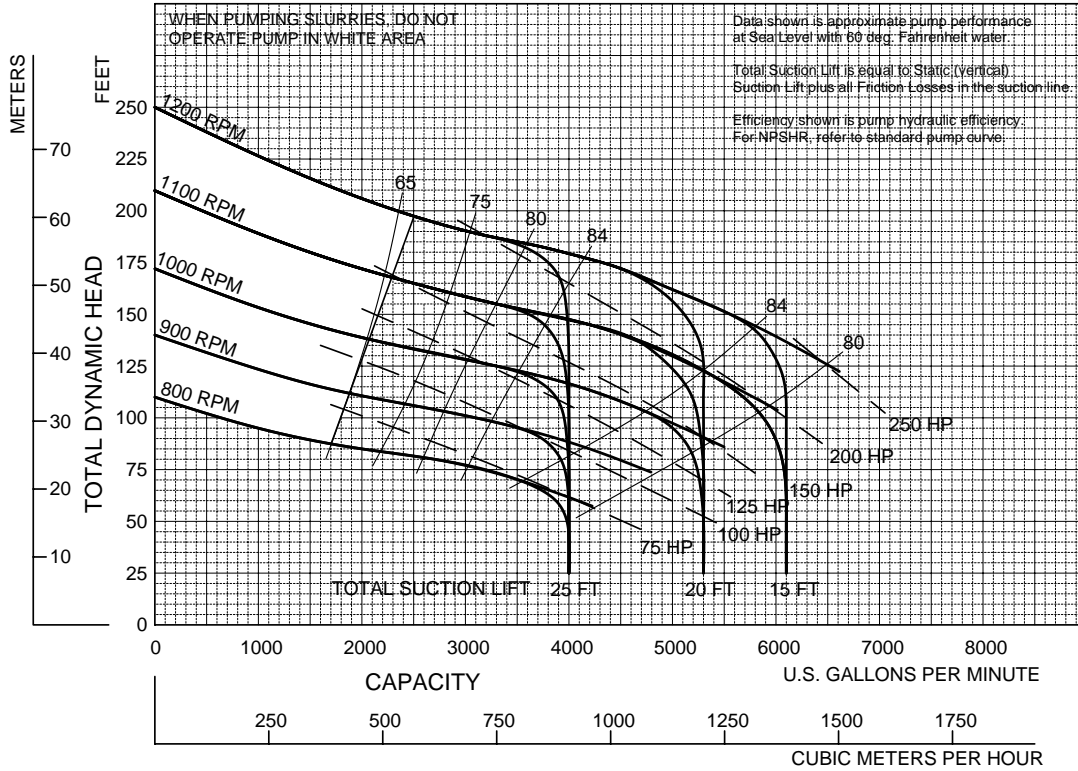
- NOTES:**
1. Frame mounting foot thickness is .75".
 2. Flange connection dimension can vary $\pm .12$ inch.
 3. Do not use for construction unless certified.

PERFORMANCE CURVES

Feet x .305 = Meters
 Inches x 25.4 = Millimeters
 GPM x .227 = Cubic Meters/Hour
 GPM x 3.785 = Liters/Minute
 HP x .746 = KW

| Speed | Impeller Dia. | Style | Solids Dia. | N _S | Suction | Discharge | No. vanes |
|---------|---------------|----------|-------------|----------------|---------|-----------|-----------|
| VARIOUS | 21.88" | ENCLOSED | 4.25" | 1875 | 12" | 10" | 2 |

DOUBLE VOLUTE MOUNTING CONFIG.: F, EM



Performances shown are for cool water, frame mounted configuration with CycloSeal®. Other liquids or mounting configurations may require performance adjustments.
 Add 1.5 HP for belt driven diaphragm vacuum pump. Performance curve does not include discharge check valve losses.

2/13/01

Cornell Pump Company

P.O. Box 6334 • Portland, Oregon 97228-6334

Web: www.cornellpump.com • Phone (503) 653-0330 • Fax (503) 653-0338

ISO9001:2000 CERTIFIED