

**CORNELL PUMP COMPANY****Delta™ Model 8NHDH-CC****STANDARD SPECIFICATION**

**Size:** 8NHDH - 8" discharge x 8" suction with 125# cast iron flanges.

**Impeller** - Semi-open, 2 vane: handles 3" solids

**Volute** - Right hand tangential and centerline discharge, eight positions

**Mechanical Seal or Traditional Packing** - Single, type 2, silicon carbide/tungsten carbide mechanical seal: Cycloseal® design, Run-dry available

**Materials of Construction**

- Cast iron casing, cast iron impeller
- Other materials available, including corrosion resistant materials

**FEATURES & BENEFITS****• Semi-open Impeller**

- handles difficult to pump liquids, rags, wet straw and other difficult to pump slurries and sludges that other pumps can not handle.
- smooth vanes prevent hang-up or "pinning" of stringy materials.
- handles slurries and sludges with abrasive particles.
- no wear rings are required.
- no axial clearance adjustments are required.
- aids in passing solids through the pump and breaking up larger solids.
- resists ragging

**• TDH to 110 ft., speeds to 1800 RPM or more**

- handles high head situations and flow rates to 1,800 GPM.

**• High Efficiencies**

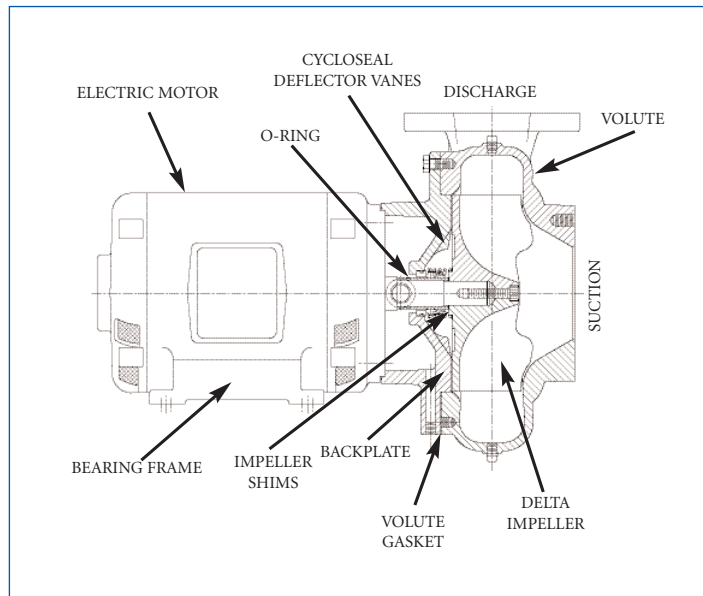
- due to higher efficiencies, these pumps can often provide significant energy savings and lower operating costs.

**• Impeller Options**

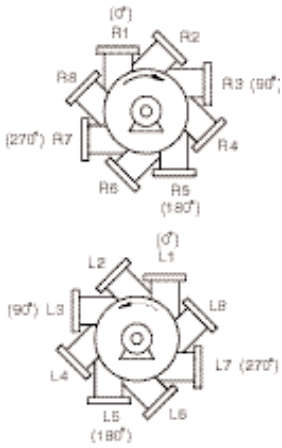
- available in 2 or 3 vane impeller design.

**• Mounting Options**

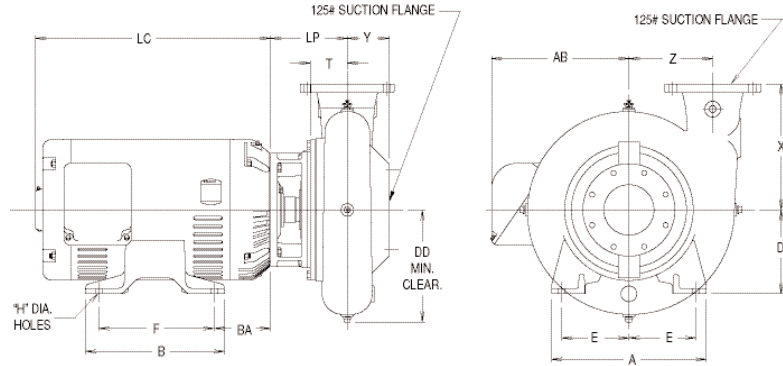
- available in a variety of mounting configurations.



## PUMP DIMENSIONS



- NOTES:**
- Discharge positions viewed from drive end.
  - Consult factory for other discharge positions.

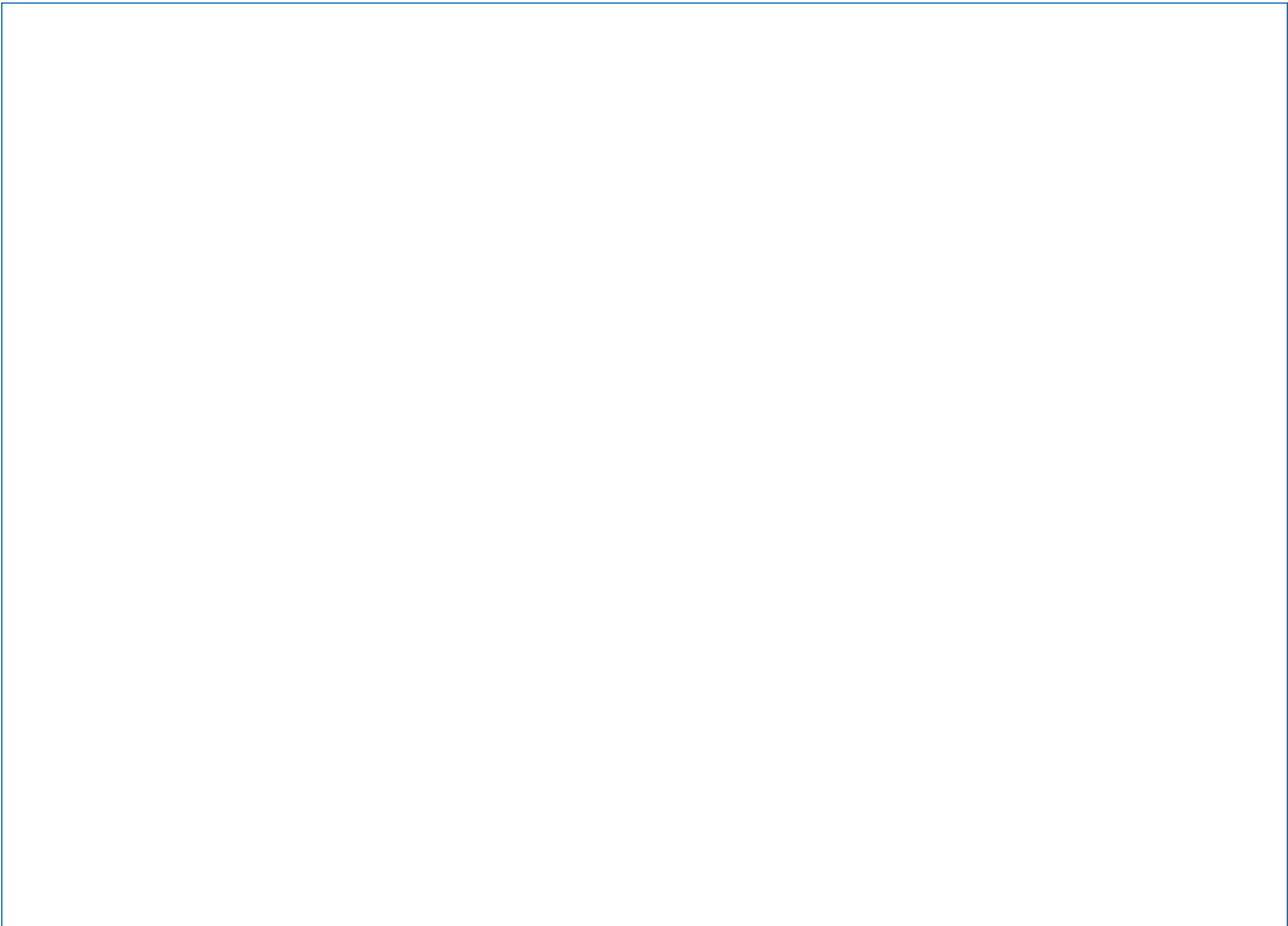


- NOTES:**
- Motor dimensions are for ODP motors and may vary depending on manufacturer.
  - Do not use for construction unless certified.

MOTOR DIMENSIONS										
Motor Frame	AK DIM	A	B	D	E	F	H	AB	BA	LC
213-5	8.5	9.5	8	5.25	4.25	7	0.41	7.94	4.5	13.69
254-6	8.5	11.25	11.25	6.25	5	10	0.53	9.5	5	17.94
284-6	12.5	12.25	12.25	7	5.5	11	0.53	11.37	5	21.31
324-6	12.5	14.25	13.75	8	6.25	12	0.66	12.22	5.5	22.19
364-5	12.5	15.75	14	9	7	12.25	0.66	13.2	6.12	24.31
404-5	12.5	18.49	16.62	10	8	13.75	0.81	16.39	6.88	28.22

Model	Frame	CONNECTION		AK DIM	DD	T	X	Y	Z	LP
		Disch.	Suct.							
8NHDH	CC	8	8							

## PERFORMANCE CURVES



**Cornell Pump Company**

P.O. Box 6334 • Portland, Oregon 97228-6334

Web: [www.cornellpump.com](http://www.cornellpump.com) • Phone (503) 653-0330 • Fax (503) 653-0338

CERTIFIED TO **ISO 9001:2000**