

**CORNELL PUMP COMPANY****Delta™ Model 8NHDH-VC****STANDARD SPECIFICATION**

Size: 8NHDH - 8" discharge x 10" suction with 125# cast iron flanges.

Impeller - Semi-open, 2 vane: handles 3" solids

Volute - Right hand tangential and centerline discharge, eight positions

Mechanical Seal or Traditional Packing - Single, type 2, silicon carbide/tungsten carbide mechanical seal: Cycloseal® design, Run-dry available

Materials of Construction

- Cast iron casing, cast iron impeller
- Other materials available, including corrosion resistant materials

FEATURES & BENEFITS**• Semi-open Impeller**

- handles difficult to pump liquids, rags, wet straw and other difficult to pump slurries and sludges that other pumps can not handle.
- smooth vanes prevent hang-up or "pinning" of stringy materials.
- handles slurries and sludges with abrasive particles.
- no wear rings are required.
- no axial clearance adjustments are required.
- aids in passing solids through the pump and breaking up larger solids.
- resists ragging

• TDH to 110 ft., speeds to 1800 RPM or more

- handles high head situations and flow rates to 1,800 GPM.

• High Efficiencies

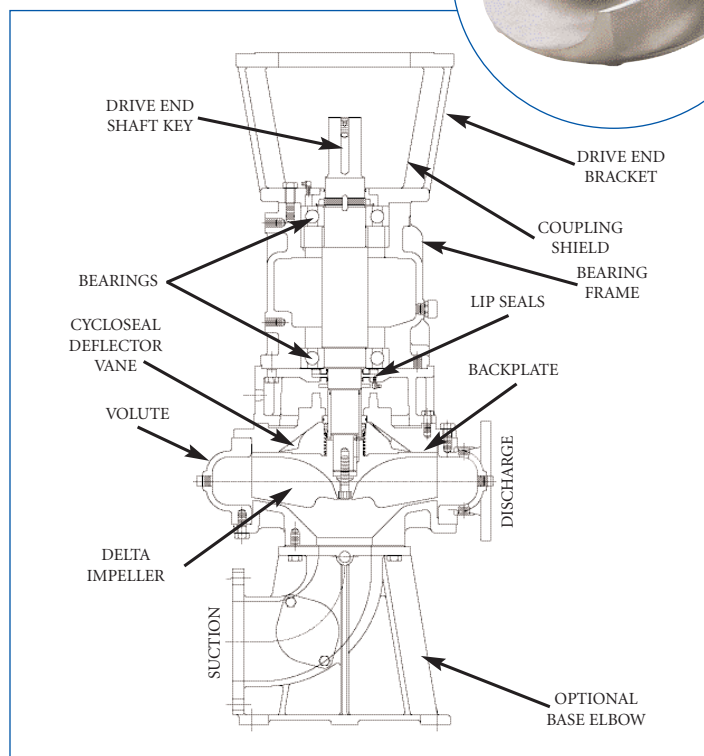
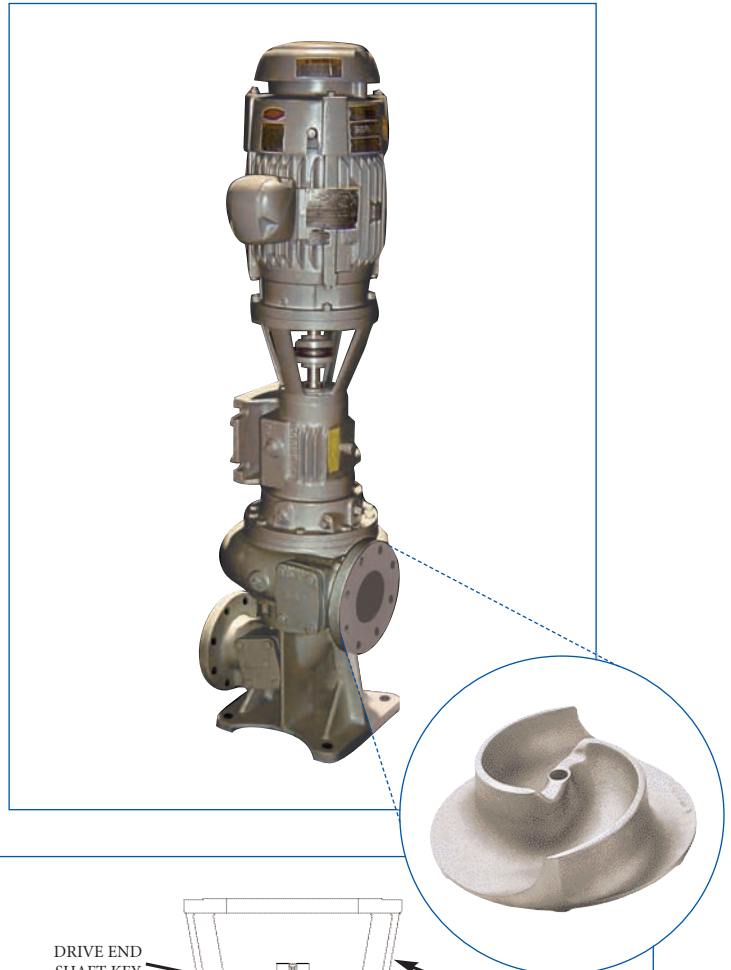
- due to higher efficiencies, these pumps can often provide significant energy savings and lower operating costs.

• Impeller Options

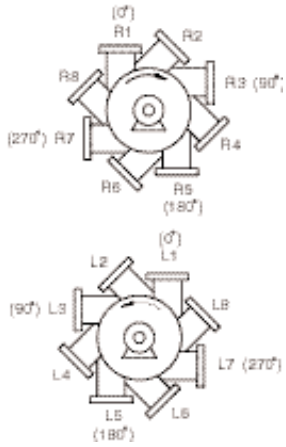
- available in 2 or 3 vane impeller design.

• Mounting Options

- available in a variety of mounting configurations.



PUMP DIMENSIONS



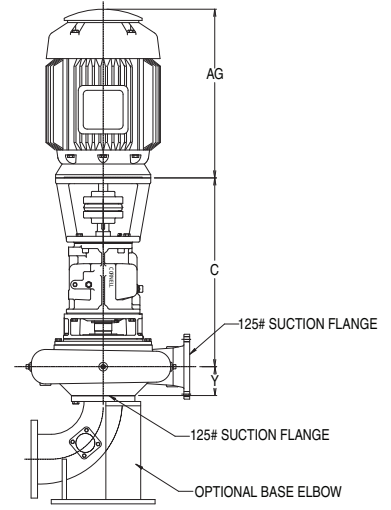
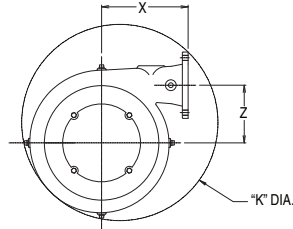
NOTES:

1. "AG" dimension is approximate and may vary depending on manufacturer.
2. Flange connection dimension can vary $\pm .12$ inch.
3. Do not use for construction unless certified.

NOTES:

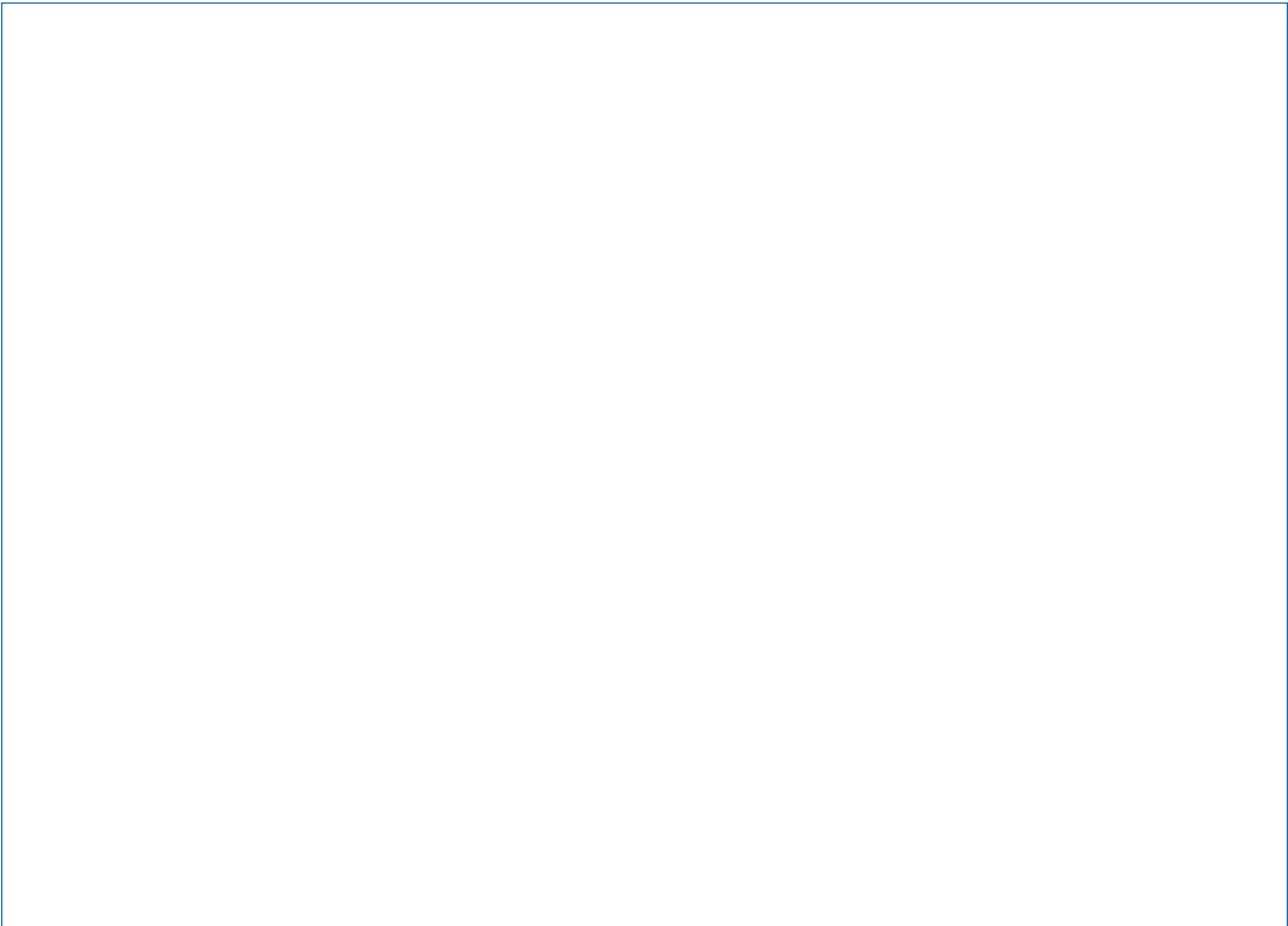
- a. Discharge positions viewed from drive end.
- b. Consult factory for other discharge positions.

| MOTOR DIMENSIONS | |
|------------------|-------|
| NEMA Frame | AG |
| 182 | 13.16 |
| 184 | 14.16 |
| 213 | 18.25 |
| 215 | 19.75 |
| 254 | 22.31 |
| 256 | 24.06 |
| 284 | 24.5 |
| 286 | 26 |



| Model | Frame | CONNECTION | | BD DIM | C | K | X | Y | Z | KEYWAY |
|-------|-------|------------|-------|--------|-------|----|----|------|----|-----------|
| | | Disch. | Suct. | | | | | | | |
| 8NHDH | VC18 | 8 | 10 | 16.5 | 33.47 | 46 | 15 | 7.48 | 14 | .62 X .31 |

PERFORMANCE CURVES



Cornell Pump Company

P.O. Box 6334 • Portland, Oregon 97228-6334
 Web: www.cornellpump.com • Phone (503) 653-0330 • Fax (503) 653-0338

CERTIFIED TO **ISO 9001:2000**