

**CORNELL PUMP COMPANY****Delta™ Model 8NHDH-VM****STANDARD SPECIFICATION**

Size: 8NHDH - 8" discharge x 8" suction with 125# cast iron flanges.

Impeller - Semi-open, 2 vane: handles 3" solids

Volute - Right hand tangential and centerline discharge, eight positions

Mechanical Seal or Traditional Packing - Single, type 2, silicon carbide/tungsten carbide mechanical seal: Cycloseal® design, Run-dry available

Materials of Construction

- Cast iron casing, cast iron impeller
- Other materials available, including corrosion resistant materials

FEATURES & BENEFITS**• Semi-open Impeller**

- handles difficult to pump liquids, rags, wet straw and other difficult to pump slurries and sludges that other pumps can not handle.
- smooth vanes prevent hang-up or "pinning" of stringy materials.
- handles slurries and sludges with abrasive particles.
- no wear rings are required.
- no axial clearance adjustments are required.
- aids in passing solids through the pump and breaking up larger solids.
- resists ragging

• TDH to 110 ft., speeds to 1800 RPM or more

- handles high head situations and flow rates to 1,800 GPM.

• High Efficiencies

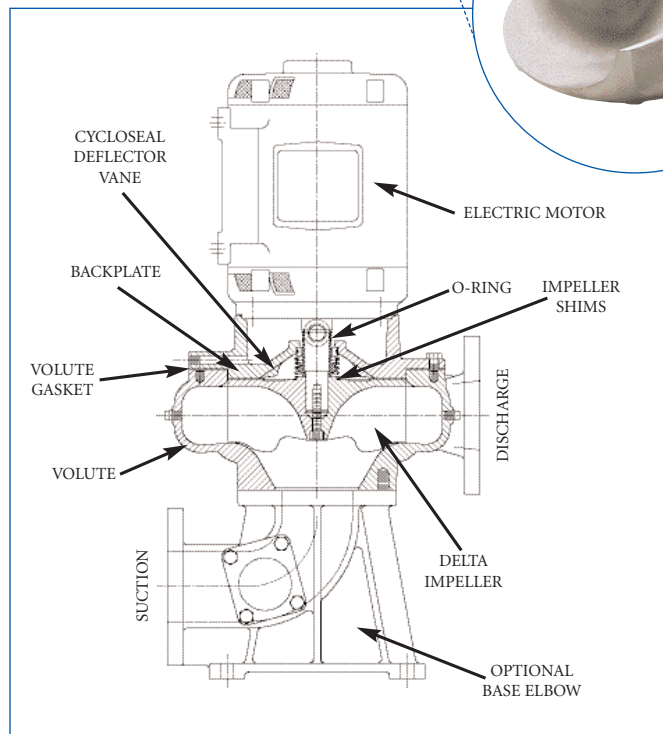
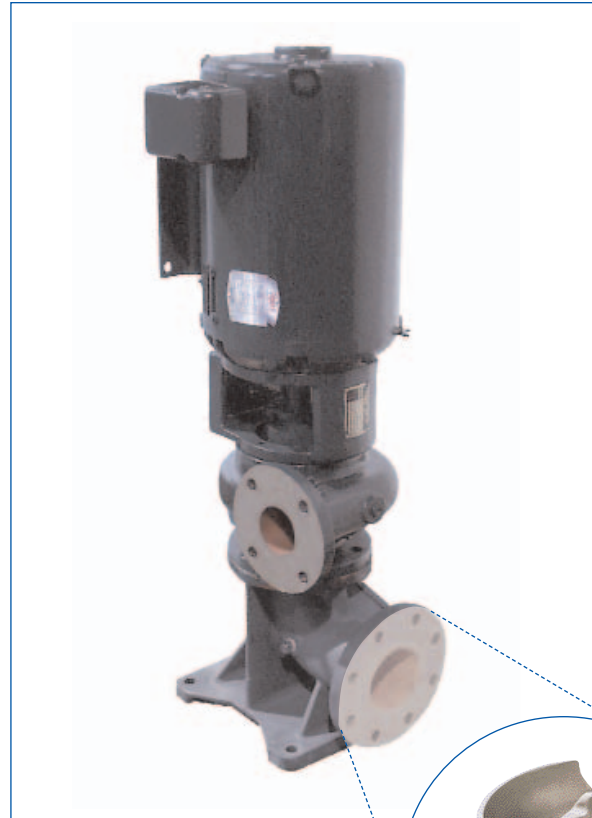
- due to higher efficiencies, these pumps can often provide significant energy savings and lower operating costs.

• Impeller Options

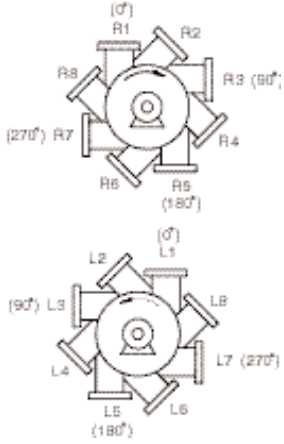
- available in 2 or 3 vane impeller design.

• Mounting Options

- available in a variety of mounting configurations.

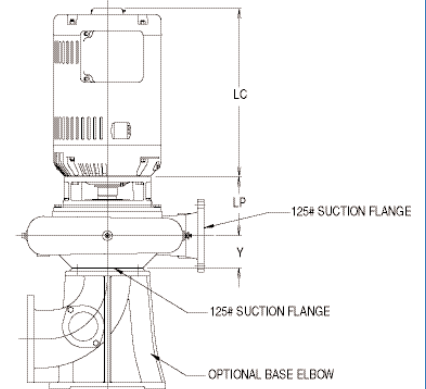
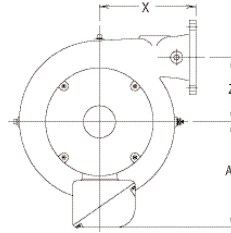


PUMP DIMENSIONS



NOTES:

1. Motor dimensions are for ODP motors and may vary depending on manufacturer.
2. Do not use for construction unless certified.



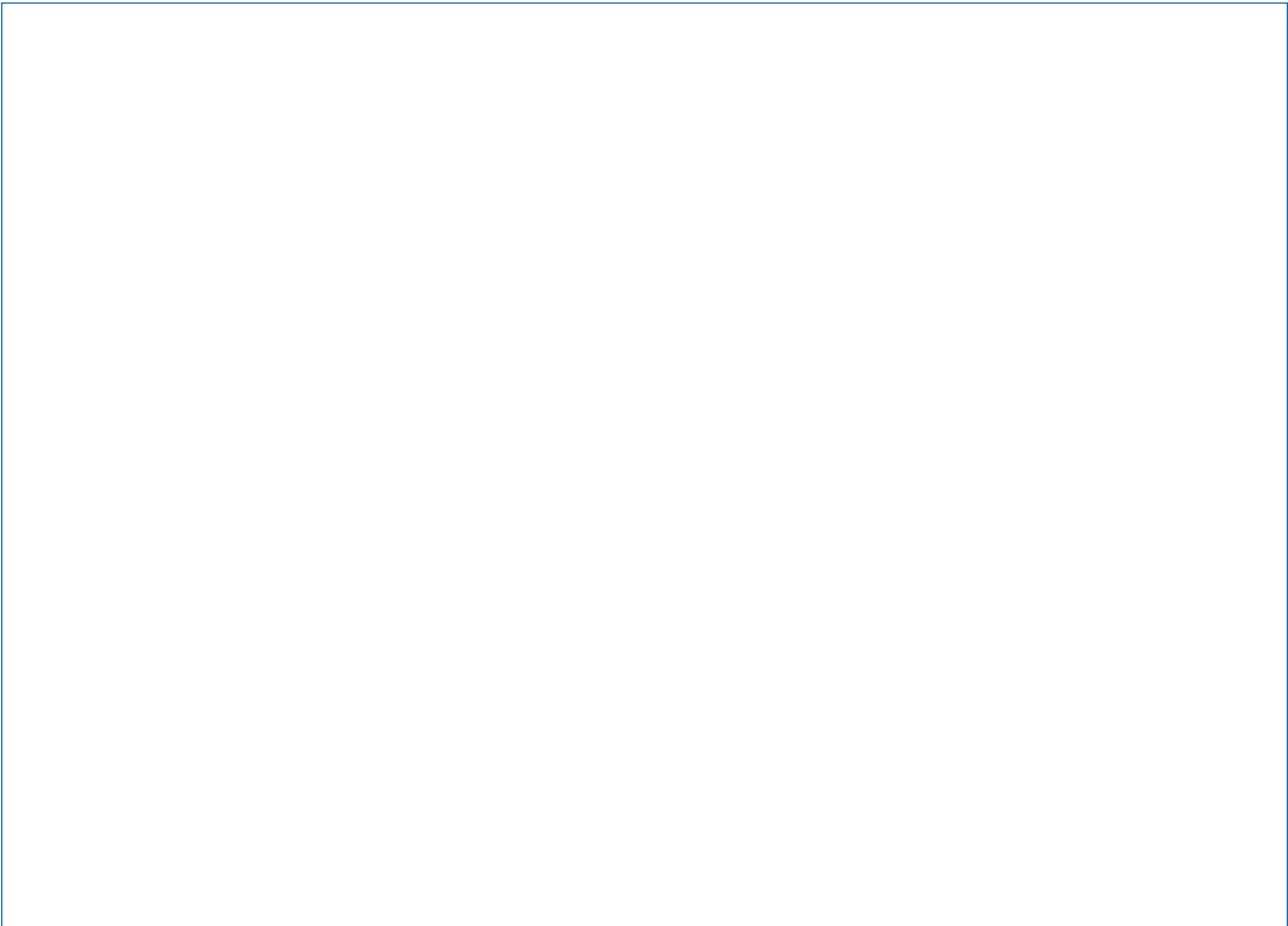
MOTOR DIMENSIONS			
Motor Frame	AK DIM	AB	LC
213-5	8.5	7.94	13.69
254-6	8.5	9.5	17.94
284-6	12.5	11.37	21.31
324-6	12.5	12.22	22.19
364-5	12.5	13.2	24.31
404-5	12.5	16.39	28.22

NOTES:

- a. Discharge positions viewed from drive end.
- b. Consult factory for other discharge positions.

Model	Frame	CONNECTION		AK DIM	X	Y	Z	LP
		Disch.	Suct.					
8NHHDH	VM	8	8					

PERFORMANCE CURVES



Cornell Pump Company

P.O. Box 6334 • Portland, Oregon 97228-6334
 Web: www.cornellpump.com • Phone (503) 653-0330 • Fax (503) 653-0338

CERTIFIED TO **ISO 9001:2000**